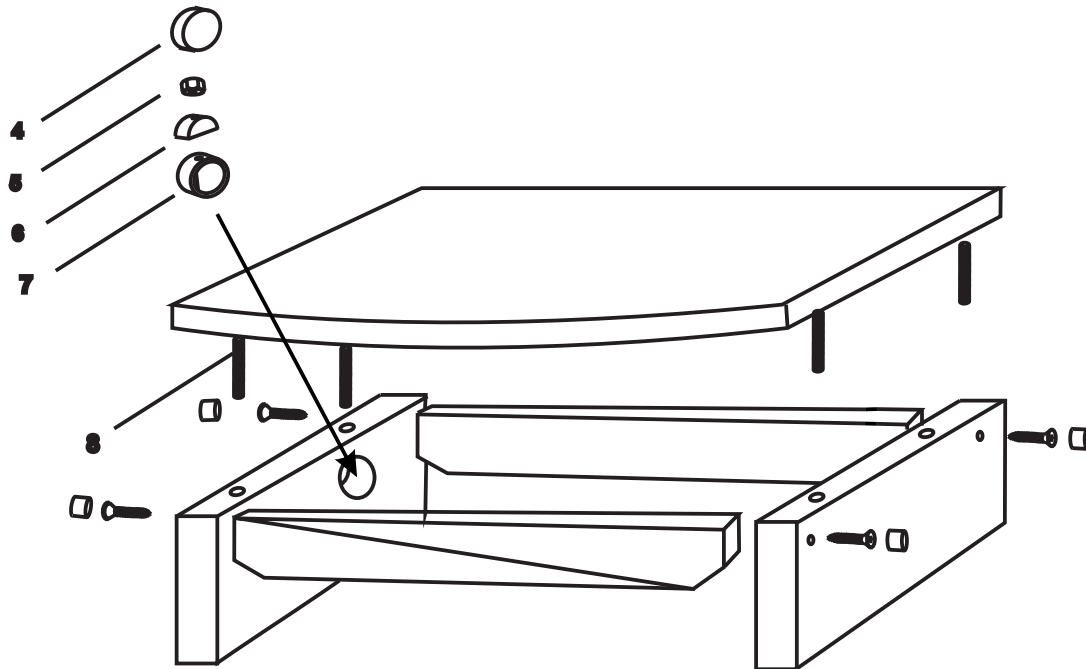


BRETAGNE SOCLE DE DEPART



 4X40 = 4

 Ø12 = 4

 250X70X70 MM = 1

 Ø 50 X 55 MM = 1

4 = 4

5 M8 = 4

6 = 4

7 = 4

8 M8 X 68 = 4

BRETAGNE DROIT - 

BRETAGNE QT - 

